

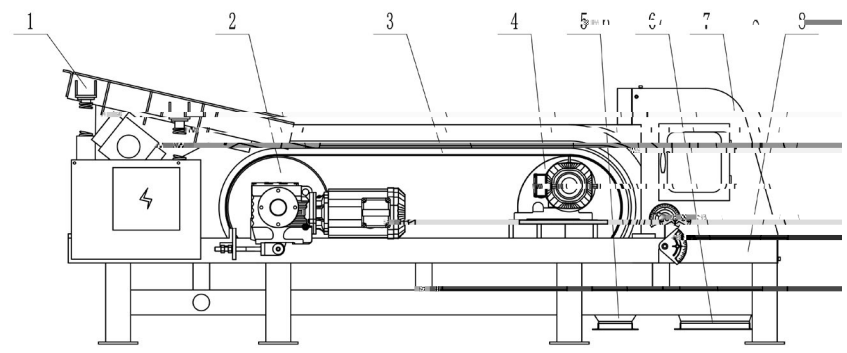
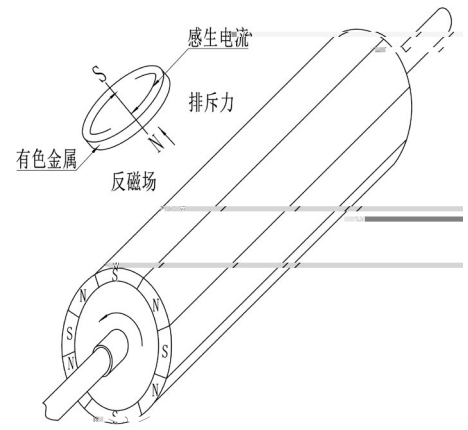


华特磁电
HUATE MAGNET



中国磁电科技创新领导品牌

ECS 涡电流分选机



- 1-
- 2-
- 3-
- 4-
- 5-
- 6-
- 7-
- 8-

| | t | mm | r/min | r/min | kW | | L×B×H mm | Kg |
|----------|----|-----|----------|---------|-----|-----|----------------|------|
| | | | | | | | | |
| ECS- 40 | 4 | 320 | 50- 2800 | 60- 150 | 4 | 1.1 | 3000X1500X1695 | 1680 |
| ECS- 60 | 6 | 320 | | | 5.5 | 1.1 | 3400X1700X1695 | 2180 |
| ECS- 80 | 8 | 320 | | | 5.5 | 1.5 | 3800X1900X1695 | 2750 |
| ECS- 100 | 10 | 400 | | | 7.5 | 1.5 | 4200X2100X1695 | 3360 |
| ECS- 120 | 12 | 400 | | | 7.5 | 1.5 | 5000X2450X1600 | 4750 |
| ECS- 160 | 16 | 400 | | | 7.5 | 4 | 5800X2900X1600 | 5300 |
| ECS- 200 | 20 | 400 | | | 11 | 4 | 6540X3300X1600 | 7900 |
| ECS- 220 | 22 | 400 | | | 11 | 4 | 7500X3700X1600 | 8700 |

()